

Price List and Sizing Chart

POLESIDES™

Fixed Tilt Side-of-Pole Racks

Put a little PV power wherever you need it. Operate remote monitoring stations or other low-power applications. These racks each mount a single PV module quickly, easily, and economically.



Series 4011
(formerly U-PS Series D)



Series 4012
(formerly U-PS Series F & FL)

- **Non-Corrosive Materials**
Aluminum brackets and zinc plated hardware. Anodizing and stainless steel hardware available by special order.
- **Fixed Tilt Angle**
Series 4011—45°
Series 4012—45° or 60°
Other angles are available by special order.
- **Pole Requirements**
Mounts to installer-supplied 2" Schedule 40 or 80 pole (O.D. 2.375"). U-bolts may be substituted for 1.5" pole (O.D. 1.90").
- **Quick, Easy Assembly**
Attach the upper and lower brackets to the module, then simply attach the complete assembly to the pole with the U-bolts.
- **All Hardware Included**
Packed with module mounting hardware and two U-bolts for pole mounting. For stainless steel band mounting, call.
- **High Design Wind Pressure**
50 pounds per square foot.

Sizing Chart

Module make and model	45° tilt	60° tilt	Module make and model	45° tilt	60° tilt	Module make and model	45° tilt	60° tilt
BP Solar			GE Energy (AstroPower)			RWE Schott		
BP350,-365,-375,-380,-580,-585	401224	401225	GE30	401224	401225	SAPC165	401226	401227
BP3125	401214	401216	GE50	401210	401212	Sharp ND-123UI NE-80UI NE-165UI,NT-185UI	401214	401216
BP3150,-3160,-4150,-4160,-4170	401226	401227	GE65,-70	401224	401225			
SX5M-10M	401102		GE100,-110	401214	401216			
SX20M,-30M	401104		GE165	401228	401229	Shell SM50H,-55 SM100,-110 SQ70,-75,-80 SQ130,-140,-150 ST36,-40	401202	401204
SX20U,-30U,-40U	401224	401225	Isofoton					
Evergreen			I-100	401214	401216			
EC47,-51,-55	401210	401212	I-150S,-165	401228	401229	SW85,-90,-95	401224	401225
EC102,-110,115	401214	401216	Kyocera			SW110,-115	401214	401216
First Solar			KC35,-40,-45,-50,-60,-70,-80	401210	401212	SQ130,-140,-150	401226	401227
FSS0D	401214	401216	KC80,-120,125G	401214	401216	ST36,-40	401202	401204
			KC167G,-187G	401228	401229	Sunwize		
			KS5,-10,-16,-20	401102		SVW85,-90,-95	401224	401225
			Photowatt			SW110,-115	401214	401216
			PVW750	401224	401225	SW155L,-165L	401226	401227
			PVW1250	401226	401227	UniSolar		
			PVW1650	401228	401229	US3,-5	401102	
						US11	401104	
						US21,-32	401202	401204
						US42,-64	401226	401227

Price List

Series 4011

Model number	Old part number	Tilt angle	Shipping		List price
			Lbs	Dimensions	
401102	U-PS/14D	45°	3	1" x 4" x 14"	29.00
401104	U-PS/20D	45°	3	1" x 4" x 20"	39.00

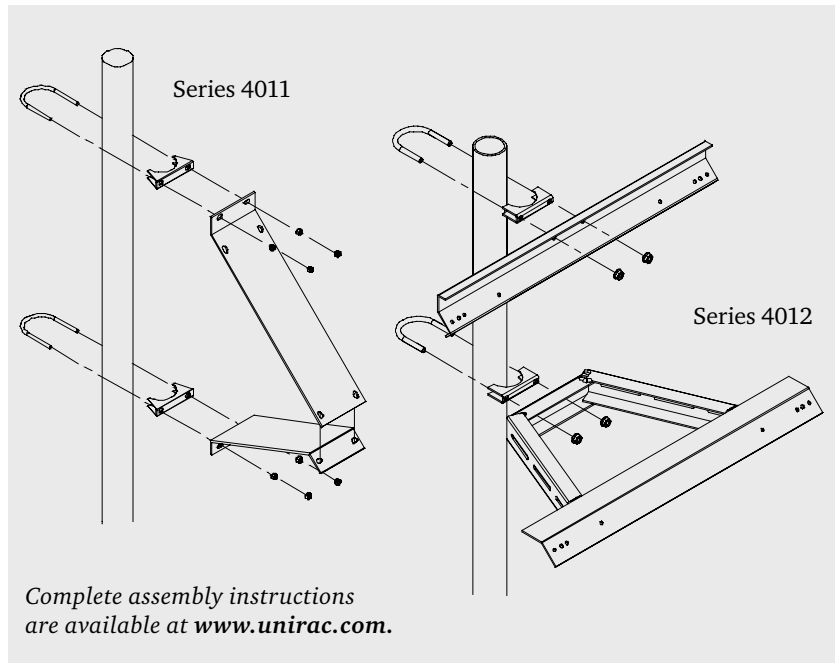
Series 4012

Model number	Old part number	Tilt angle	Shipping		List price
			Lbs	Dimensions	
401202	U-PS/12F	45°	5	3" x 18" x 28"	83.00
401204	U-PS/12F	60°	5	3" x 18" x 28"	81.00
401210	U-PS/26F	45°	6	3" x 18" x 28"	89.00
401212	U-PS/26F	60°	6	3" x 18" x 28"	86.00
401214	U-PS/26FL	45°	6	3" x 18" x 28"	97.00
401216	U-PS/26FL	60°	6	3" x 18" x 28"	94.00
401224		45°	7	3" x 20" x 27"	86.00
401225		60°	7	3" x 20" x 27"	83.00
401226		45°	7	3" x 20" x 27"	105.00
401227		60°	7	3" x 20" x 27"	102.00
401228		45°	7	3" x 20" x 27"	112.00
401229		60°	7	3" x 20" x 27"	108.00

U-Bolt Substitution for 1.5" Schedule 40/80 Pole (O.D. 1.9")

Item number	List price
990334	\$1.50

See www.unirac.com to locate your nearest distributor of UniRac products.



Complete assembly instructions are available at www.unirac.com.

Prices and specifications are subject to change without notice.



THE NEW STANDARD IN PV MODULE RACKS™

UniRac, Inc.
info@unirac.com

3201 University Boulevard SE, Suite 110
Albuquerque NM 87106-5635 USA

505.242.6411
505.242.6412 Fax

Pub 040512-3pl • June 2004
© 2004 UniRac, Inc. All rights reserved.

10 year limited Product Warranty

UniRac, Inc., warrants to the original purchaser ("Purchaser") of product(s) that it manufactures ("Product") at the original installation site that the Product shall be free from defects in material and workmanship for a period of ten (10) years, from the earlier of 1) the date the installation of the Product is completed, or 2) 30 days after the purchase of the Product by the original Purchaser. This Warranty does not cover damage to the Product that occurs during its shipment, storage, or installation.

This Warranty shall be VOID if installation of the Product is not performed in accordance with UniRac's written installation instructions, or if the Product has been modified, repaired, or reworked in a manner not previously authorized by UniRac IN WRITING, or if

the Product is installed in an environment for which it was not designed. UniRac shall not be liable for consequential, contingent or incidental damages arising out of the use of the Product by the Purchaser under any circumstances.

If within the specified Warranty period the Product shall be reasonably proven to be defective, then UniRac shall repair or replace the defective Product, or any part thereof, in UniRac's sole discretion. Such repair or replacement shall completely satisfy and discharge all of UniRac's liability with respect to this limited Warranty. Under no circumstances shall UniRac be liable for special, indirect or consequential damages arising out of or related to use by Purchaser of the Product.

Manufacturers of related items, such as PV modules and flashings, may provide written warranties of their own. UniRac's limited Warranty covers only its Product, and not any related items.

www.unirac.com