

Price List and Sizing Chart

POLESIDES™

Adjustable Side-of-Pole Racks

U.S. and other patents pending.



Series 4001 (formerly U-11)



Series 4002 (formerly U-PS)



Series 4000 (formerly U-05)

- **Non-Corrosive Materials**
Aluminum structural components and stainless steel hardware. See complete Material Specifications on back page.
- **Quick, Easy Assembly**
Assembly procedure is flexible to suit installer preference. SolarMount rails and clips (Series 4001–4002) speed the process.
- **Tilt Angle**
Adjust tilt angle to suit your site latitude and, if desired, optimize output with seasonal adjustment.
- **All Hardware Included**
Packed with module mounting hardware and U-bolts. U-bolts can be substituted where larger pole sizes are desired.
- **Pole Requirements**
Mounts to installer-supplied Schedule 40 steel pipe readily available in most locales.
- **Design Wind Pressure**
30 to 50 psf, depending on rack model, tilt angle, and PV module. Call for specific information.

Sizing Chart

Call UniRac for any modules or configurations not shown.

Module make and model	Number of modules to be mounted				Module make and model	Number of modules to be mounted			
	1	2	3	4		1	2	3	4
BP Solar					Photowatt				
BP350, -375, -380, -580, -585	400104	400211	400218	400227	PW750	400103	400210	400220	400226
BP365	400101	400208	400216	400223	PW1250	400237	400220	400231	
BP3125	400236	400233	400224	400232	PW1650	400210	400226		
BP3150, -3160, -4150 -4160, -4170	400237	400219	400230		RWE Schott				
SX5M, SX10M	400006				ASE300	400214			
SX10U	400006‡				SAPC165	400206	400220	400331	
SX20M, -20U, -30M, -30U	400009	400208			Sharp				
SX40M, -40U	400101	400208			NE-80UI	400110	400210	400219	400226
					ND-123UI	400236	400214	400224	400232
					NE-165UI,				
Evergreen					NT-175UI, -185UI	400206	400220	400331	
EC47, -51, -55	400235	400213	400223	400229	Shell				
EC102, -110, -115	400204	400212	400222	400231	SM55, ST40	400109	400235*	400208*	400213‡
					SM110	400235	400213	400223	400229
First Solar					SQ70, -75, -80	400101	400211	400218	400225
FS50D	400235	400213	400223	400229	SQ140, -150, -160	400206	400218	400230	
					ST5	400036			
GE Energy (AstroPower)					ST10	400010			
GE30	400026	400211			ST20	400012			
GE50	400107	400213	400223	400229	SunWize				
GE65, -70	400101	400211	400218	400225	SW85, -90, -95	400204	400212	400222	400230*
GE100, -110	400235	400213	400223	400229	SW115, 120	400204	400212	400222	400231
GE165	400208	400223			SW155L, -165L	400238	400220	400231	
Isofoton					UniSolar				
I-100	400204	400212	400222	400231	US3, US5	400002			
I-150S	400210	400226			US11	400016			
I-165	400209	400222			US21	400109			
Kyocera					US32	400109	400237*	400212*	400215‡
KC35, -40, -45, -50, -60, -70, -80	400107	400213	400223	400229	US42	400206	400216	400227	
KC120-1	400236	400214	400224	400232	US64	400237	400215	400226	
KC167G, -187G	400209	400222							

*Order 1 extra set of module bolts.

‡Order 2 extra sets of module bolts.

‡Module mounts with short dimension perpendicular to the rails.

U-Bolt Substitution Chart for Larger Pole Sizes and Wall Mounting

If you plan to mount your rack on a larger than standard pole, use this chart to substitute larger U-bolts. On your order, list the substitution item number and amount. U-bolts up to 13 inches may be special ordered. Smaller-than-standard pole sizes are not recommended.

For wall mounting, U-bolts are removed and the dollar values (in parenthesis) are credited.

These substitution charges apply to list prices only.

	U-bolts	Schedule 40 pole size to be substituted			Wall mounting
		2½ inch	3 inch	4 inch	
Series 4000 for 2-inch pole	1	990319 \$3.00	990320 \$3.50	990321 \$4.00	990318 (\$ 1.50)
Series 4001 for 2½-inch pole	2		990323 6.00	990324 7.00	990322 (3.00)
Series 4002 for 2½-inch pole	2		990323 6.00	990324 7.00	990322 (3.00)
Series 4002 for 3-inch pole	4			990326 12.00	990325 (8.00)
Series 4002 for 4-inch pole	4				990327 (10.00)

Price List and Sizing Chart: Adjustable Side-of-Pole Racks



Price List



Series 4000
for 2-inch Schedule 40 pole

Model number	Old number	Rail length	Channel length	Module bolt sets	Shipping		List price
					Lbs	Dimensions	
400002	U-05/10VS	10"	10"	1	5	11" x 4" x 3"	\$67.00
400006	U-05/12VS	12"	10"	1	5	13" x 4" x 3"	68.00
400009	U-05/14M	14"	20"	1	5	21" x 4" x 3"	76.00
400010	U-05/14S	14"	15"	1	5	15" x 4" x 3"	68.00
400012	U-05/14XL	14"	30"	1	6	36" x 4" x 3"	83.00
400016	U-05/16VS	16"	10"	1	6	17" x 4" x 3"	70.00
400026	U-05/22L	22"	25"	1	7	26" x 4" x 3"	85.00
400036	U-05/8S	8"	15"	1	4	15" x 4" x 3"	65.00



Series 4001
for 2½-inch Schedule 40 pole

Model number	Old number	Rail length	Channel length	Module bolt sets	Shipping		List price
					Lbs	Dimensions	
400101	U-11/20M	20"	24"	1	6	25" x 4" x 3"	\$112.00
400103	U-11/24L	24"	32"	1	6	33" x 4" x 3"	119.00
400104	U-11/24M	24"	24"	1	6	25" x 4" x 3"	116.00
400107	U-11/28M	28"	24"	1	8	33" x 4" x 3"	120.00
400109		16"	32"	1	6	33" x 4" x 3"	111.00
400110		20"	32"	1	7	33" x 4" x 3"	115.00



Series 4002
for 2½- to 4-inch Schedule 40 pole

Model number	Old number	Rail length	Channel length	Module bolt sets	Shipping		List price
					Lbs	Dimensions	
For 3-inch Schedule 40 pole							
400212	U-PS/52L	52"	32"	2	21	64" x 4" x 4"	\$270.00
400213	U-PS/52M	52"	24"	2	20	53" x 4" x 4"	260.00
400214	U-PS/52XL	52"	40"	2	22	80" x 4" x 4"	280.00
400215	U-PS/60L	60"	32"	2	24	65" x 4" x 4"	290.00
400216	U-PS/60M	60"	24"	3	24	61" x 4" x 4"	280.00
400218	U-PS/64M	64"	24"	3	24	65" x 4" x 4"	290.00
400219	U-PS/64XL	64"	40"	3	25	81" x 4" x 4"	310.00
400220	U-PS/68L	68"	32"	3	24	69" x 4" x 4"	310.00
400233		56"	40"	2	24	57" x 4" x 4"	290.00

Model number	Old number	Rail length	Channel length	Module bolt sets	Shipping		List price
					Lbs	Dimensions	

For 2½-inch Schedule 40 pole

400204	U-PS/28L	28"	30"	1	12	31" x 4" x 4"	\$165.00
400206	U-PS/32M	32"	25"	1	15	33" x 4" x 4"	170.00
400208	U-PS/40M	40"	25"	2	19	41" x 4" x 4"	190.00
400209	U-PS/40XL	40"	35"	2	20	41" x 4" x 4"	200.00
400210	U-PS/44L	44"	30"	2	21	46" x 4" x 4"	205.00
400211	U-PS/44M	44"	25"	2	20	45" x 4" x 4"	200.00
400235		28"	25"	1	14	29" x 4" x 4"	160.00
400236		28"	40"	1	14	41" x 4" x 4"	170.00
400237		32"	40"	1	15	41" x 4" x 4"	180.00
400238		36"	30"	1	19	37" x 4" x 4"	185.00

For 4-inch Schedule 40 pole

400222	U-PS/80L	80"	32"	3	25	81" x 4" x 4"	\$340.00
400223	U-PS/80M	80"	24"	4	25	81" x 4" x 4"	330.00
400224	U-PS/80XL	80"	40"	3	27	81" x 4" x 4"	350.00
400225	U-PS/84M	84"	24"	4	30	85" x 4" x 4"	340.00
400226	U-PS/88L	88"	32"	4	26	89" x 4" x 4"	355.00
400227	U-PS/88M	88"	24"	4	26	89" x 4" x 4"	345.00
400229	U-PS/104M	104"	24"	4	30	105" x 4" x 4"	365.00
400230		96"	40"	3	30	97" x 4" x 4"	375.00
400231		104"	32"	4	32	105" x 4" x 4"	375.00
400232		106"	40"	4	35	107" x 4" x 4"	390.00

Mounting Clip Sets for Extra Modules

Part number	Description	Shipping wt.	List price
321218	Clips and hardware to mount one extra module	1 lb.	\$6.50

See www.unirac.com to locate your nearest distributor of UniRAC products.

Prices and specifications are subject to change without notice.

Material Specifications

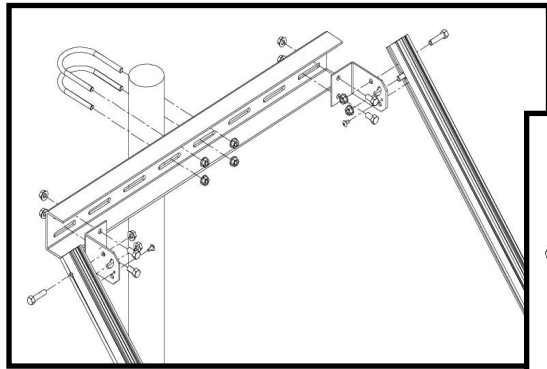
Series 4000

Cross channel, channel brackets, and angle rails: 5052-H3 aluminum.
Self-tapping screws: zinc plated steel.
Other fasteners: 304 stainless steel.

Series 4001 and 4002

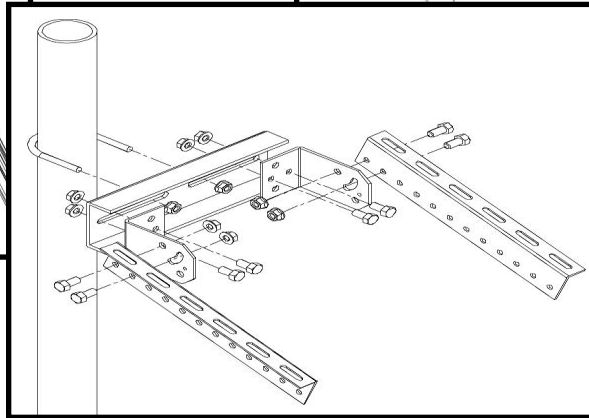
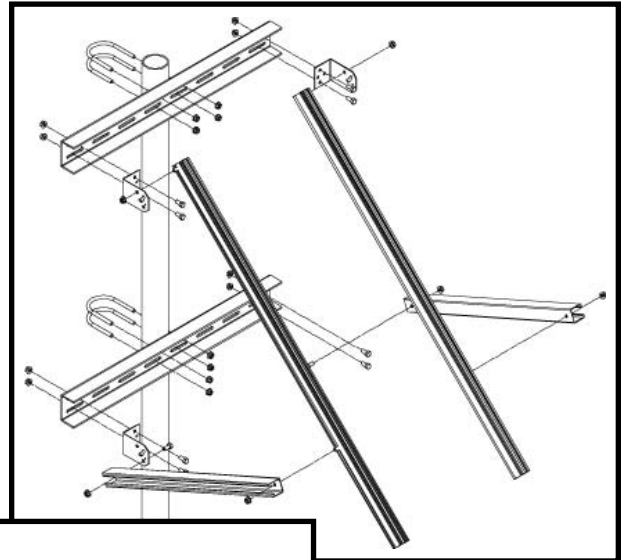
Cross channel and channel brackets: 5052-H3 aluminum.
Legs (4002 only) and SolarMount rails: 6105-T5 aluminum extrusion.
Self-tapping screws (4001 only): zinc plated steel.
Other fasteners: 304 stainless steel.

Series 4001 with SolarMount rails



Complete assembly instructions are available at www.unirac.com.

Series 4002 with SolarMount rails



Series 4000



UniRac, Inc.
info@unirac.com

3201 University Boulevard SE, Suite 110
Albuquerque NM 87106-5635 USA

505.242.6411
505.242.6412 Fax

Pub 040610-1pl • June 2004
© 2004 UniRac, Inc. All rights reserved.

10 year limited Product Warranty

UniRac, Inc., warrants to the original purchaser ("Purchaser") of product(s) that it manufactures ("Product") at the original installation site that the Product shall be free from defects in material and workmanship for a period of ten (10) years, from the earlier of 1) the date the installation of the Product is completed, or 2) 30 days after the purchase of the Product by the original Purchaser. This Warranty does not cover damage to the Product that occurs during its shipment, storage, or installation.

This Warranty shall be VOID if installation of the Product is not performed in accordance with UniRac's written installation instructions, or if the Product has been modified, repaired, or reworked in a manner not previously authorized by UniRac IN WRITING, or if the Product is installed in an environment for which

it was not designed. UniRac shall not be liable for consequential, contingent or incidental damages arising out of the use of the Product by the Purchaser under any circumstances.

If within the specified Warranty period the Product shall be reasonably proven to be defective, then UniRac shall repair or replace the defective Product, or any part thereof, in UniRac's sole discretion. Such repair or replacement shall completely satisfy and discharge all of UniRac's liability with respect to this limited Warranty. Under no circumstances shall UniRac be liable for special, indirect or consequential damages arising out of or related to use by Purchaser of the Product.

Manufacturers of related items, such as PV modules and flashings, may provide written warranties of their own. UniRac's limited Warranty covers only its Product, and not any related items.